



VERSATILE

Versatile, a division of Buhler Industries Inc. (TSX: BUI), is the only Canadian manufacturer of agricultural tractors. The factory in Winnipeg, Manitoba covers almost 700,000 square feet with complete manufacturing and assembly capabilities and full research and development facilities. Versatile also has a rural 40-acre test site with a paved quarter-mile circuit and bump-track.

New this year, Versatile will showcase the latest line of front-wheel assist tractors, including the new Versatile 360, and will formally introduce the new Versatile line of four-wheel drive and DeltaTrack tractors, now available with a new suspended cab to enhance operator comfort and featuring Tier 4 Final emissions technology.

Cummins is the exclusive supplier of engines for Versatile products, now available in Tier 4 Final technology to meet modern on-farm power requirements. Versatile is known for putting horsepower to the ground, and the pulling power on new four-wheel drives and DeltaTracks with T4F engines has increased by up to 15%, the result of an industry-leading powertrain that includes the Cummins engine, CAT powershift transmission and the Versatile outboard planetary axles, differentials and centrally located draw bar pulling point.



TABLE OF CONTENTS

DELTATRACK TRACTORS	4
4WD TRACTORS	8
MFWD/ROW CROP TRACTORS	14



©2017 Buhler Versatile Inc. All Rights Reserved » info@versatile-ag.com » www.versatile-ag.com
Ref: 092017

Illustrations, photographs and specifications in this brochure are based on the latest information at the time of publication. Design and specification of equipment is subject to change without notice; please contact your local dealer for product information and availability. Products produced by other manufacturers featured in photography are not endorsed by Buhler Versatile Inc. and are intended for image reference only.

DELTATRACK TRACTORS

Model: **520DT/570DT/610DT - T4F**



IT'S MORE THAN PAINT!



IT'S A LEGACY!



WHAT ABOUT IT?

Torque optimization. That's one of the keys to success of the new 2018 Versatile DeltaTrack. The engineering team at Versatile worked diligently on powertrain enhancements, including the legendary outboard planetary axles, and has delivered a new series of tractors that put more power to drawbar and more power to the ground... up to 15% more!

New models have been added, including the new 610, the highest horsepower tractor ever built by Versatile! The new four-post suspended cab (Standard on DT models) smooths out long days in the field, creating the best ride of any high horsepower tractor in the industry.

THE REASONS WHY!

- New Tier 4 Final emissions technology
- New higher horsepower, the Versatile 610
- Increased weight
- Four-post suspended cab
- Optional engine brake
- Cummins engine, CAT transmission

LEARN MORE.

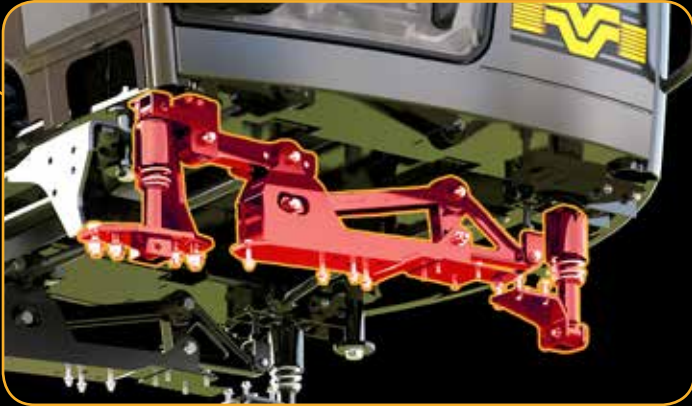


Visit our website for the latest information
www.versatile-ag.com

DELTATRACK TRACTORS - T4F

Model: SUSPENDED CAB AND DELTATRACK SYSTEM

THE BENEFITS TO HAVING A SUSPENDED CAB

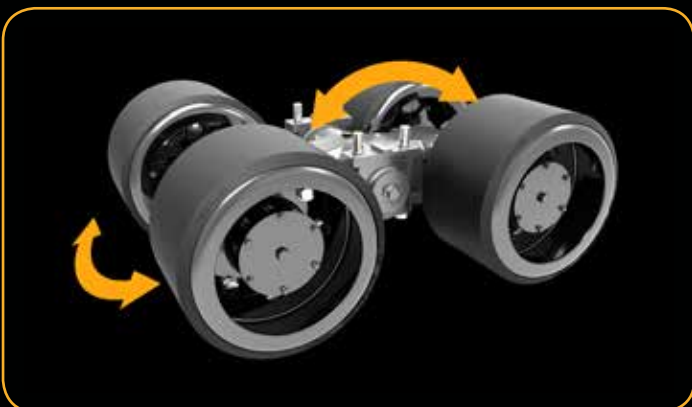


The suspended cab on the DeltaTrack (optional on the 4WD), combined with the optimization of the undercarriage provides the best ride in the industry.

The suspended cab is raised onto the four point shock and spring system that works in tandem with the tuned torque arms that reduce or eliminate pitch and roll movement.

Bringing together Versatile's double-axes bogie system (see next column) and the suspended cab gives the DeltaTrack a superior system to any track based agricultural tractor on the market.

DOUBLE AXIS BOGIE



WHY THE DELTATRACK UNDERCARRIAGE IS BETTER



The DeltaTrack uses a positive drive system to reduce friction, heat, and wear. Track slippage is eliminated by interlocking track lugs into the drive wheel. The DeltaTrack keeps 6.5 lugs engaged with the drive wheel at all times to eliminate slippage between the track and drive wheel. The DeltaTrack uses the largest drive lugs available (8-1/2") in the industry to maximize operating life.

Drive Sprocket - A large single piece cast drive sprocket provides a larger wrap angle than competitive track units to increase track life.

Idler Wheels - The large idler wheels used on the DeltaTrack improve the approach angle to reduce the risk of "submarining" in muddy conditions. The large idler wheels and track angle maximise horsepower-to-ground efficiencies.

Midrollers - The large midrollers system are not directly inline with axle or drive system components to improve the ride and service life of the tractor. Polyurethane coating dramatically reduces midroller wear and maintenance requirements compared to competitive rubber midrollers.

Double Axis Bogie - Two way oscillation provides excellent weight transfer and reduces shock loading. The DeltaTrack double axis bogie system also offers a smooth ride over diverse field conditions.

IT'S MORE THAN PAINT!

Model: **520DT/570DT/610DT**

	520DT	570DT	610DT
ENGINE			
Engine type	Cummins QSX15 T4F	Cummins QSX15 T4F	Cummins QSX15 T4F
Aspiration	Turbocharged & air-to-air aftercooled	Turbocharged & air-to-air aftercooled	Turbocharged & air-to-air aftercooled
Displacement	14.9-liter (909 cid)	14.9-liter (909 cid)	14.9-liter (909 cid)
Horsepower	520 hp (387 kW)	570 hp (425 kW)	605 hp (455 kW)
Power bulge	11% @ 1800 RPM	10% @ 1800 RPM	7% @ 1800 RPM
Peak horsepower	572 hp (427 kW)	626 hp (467 kW)	650 hp (485 kW)
Torque rise	51% @ 1400 RPM	48% @ 1400 RPM	49% @ 1400 RPM
Peak torque	1700 lb-ft (2305 N·m)	1850 lb-ft (2508 N·m)	2050 lb-ft (2779 N·m)
FUEL SYSTEM			
Capacity	449 U.S. gal (1700 L)	449 U.S. gal (1700 L)	449 U.S. gal (1700 L)
Filter	Engine mounted w/water separator	Engine mounted w/water separator	Engine mounted w/water separator
DEF Tank	91L (24 U.S. gal)	91L (24 U.S. gal)	91L (24 U.S. gal)
TRANSMISSION			
Powershift transmission	CAT 16 x 4 - 20.6 mph (33.9 km/hr) road speed	CAT 16 x 4 - 20.6 mph (33.9 km/hr) road speed	CAT 16 x 4 - 20.6 mph (33.9 km/hr) road speed
AXLES			
Articulation angle	33°	33°	33°
Oscillation	12°	12°	12°
Versatile Outboard Planetary Axles	Heavy-duty	Heavy-duty	Heavy-duty
Differential lock	Standard	Standard	Standard
Brakes	Dual Hydraulic Self-Adjusting Disc Brakes Front & Rear Axle	Dual Hydraulic Self-Adjusting Disc Brakes Front & Rear Axle	Dual Hydraulic Self-Adjusting Disc Brakes Front & Rear Axle
Wheelbase	154" (3900 mm)	154" (3900 mm)	154" (3900 mm)
HYDRAULICS			
Hydraulic type	Closed Center Load Sensing System	Closed Center Load Sensing System	Closed Center Load Sensing System
Standard flow	53 GPM (201 L/min)	53 GPM (201 L/min)	53 GPM (201 L/min)
Hi-Flow hydraulic system	106 GPM (401 L/min)	106 GPM (401 L/min)	106 GPM (401 L/min)
Hydraulic remotes	4 standard, 6 optional	4 standard, 6 optional	4 standard, 6 optional
Maximum system pressure	2900 PSI (197 bar)	2900 PSI (197 bar)	2900 PSI (197 bar)
ELECTRICAL SYSTEM			
Alternator	12V - 200 amps	12V - 200 amps	12V - 200 amps
Batteries	3-12V, 1000 CCA ea.	3-12V, 1000 CCA ea.	3-12V, 1000 CCA ea.
LED lighting / Power mirrors	Optional / Optional	Optional / Optional	Optional / Optional
Battery shut-off switch	Standard	Standard	Standard
DRAWBAR			
Vertical load rating	9,000 lb (4082 kg)	9,000 lb (4082 kg)	9,000 lb (4082 kg)
Vertical load rating w/heavy-duty drawbar support	12,000 lb (5443 kg)	12,000 lb (5443 kg)	12,000 lb (5443 kg)
CAT V drawbar rating (optional)	15,000 lb (6,804 kg) / 2.75" (70 mm) pin	15,000 lb (6,804 kg) / 2.75" (70 mm) pin	15,000 lb (6,804 kg) / 2.75" (70 mm) pin
Hitch pin diameter (w/auto drop)	2" (51 mm)	2" (51 mm)	2" (51 mm)
Quick hitch	Optional	Optional	Optional
3-point hitch	CAT IV	CAT IV	CAT IV
PTO	1000 rpm 1.75 shaft	1000 rpm 1.75 shaft	1000 rpm 1.75 shaft
CAB			
Volume	175.5 cu. ft. (4.97 cu. m)	175.5 cu. ft. (4.97 cu. m)	175.5 cu. ft. (4.97 cu. m)
Glass	85.9 sq. ft. (8 sq. m)	85.9 sq. ft. (8 sq. m)	85.9 sq. ft. (8 sq. m)
WEIGHTS			
Base tractor weight*	58,850 lb (26,694 kg)	58,850 lb (26,694 kg)	58,850 lb (26,694 kg)
Recommended operating GVW	58,850 lb (26,694 kg)	58,850 lb (26,694 kg)	61,000 lb (27,669 kg)

*A base tractor is considered to have a mechanical transmission, with 710/70R38 drum-style duals, a standard drawbar, no fuel, no operator, no special added equipment and no ballast.

4WD TRACTORS

Model: **380/405/430/460 - T4F**



IT'S MORE THAN PAINT!



IT'S A LEGACY!



WHAT ABOUT IT?

Versatile was the first company to mass produce articulated four-wheel drive tractors, starting back in 1966. With more than five decades of continuous tractor production, Versatile tractors are designed to be simple to operate and easy to maintain and service.

Known around the world for durability and reliability, Versatile four-wheel drives use industry-leading suppliers to ensure the best performance with the least amount of downtime. Cummins is the exclusive engine supplier for Versatile, a successful partnership that has been growing for nearly 50 years.

THE REASONS WHY!

- Simple to operate, easy to service and maintain
- Highly efficient and robust drawbar pull
- Cummins engine, CAT transmission
- Largest cab in the industry (Suspended cab optional)
- Heavy-duty frame
- Commercial components sourced from industry-leading companies

LEARN MORE.



Visit our website for the latest information
www.versatile-ag.com

DELTATRACK / 4WD TRACTORS

Model: **ALL MODELS**

1. Simple to use



- Proven outboard planetary axles allow for easy service and extended life.
- Tractor control functions are intuitive and important information is understandable at a glance.
- Common controls between tractor models.
- User-friendly design means less training, reduced chance for error resulting in higher profitability.

2. Efficient drawbar pull



- Well ballasted tractor design.
- Powertrain designed for efficient engine-to-ground power transfer.
- CAT V drawbar has a 15000 lbs (6804 kg) vertical load capacity.
- Drawbar pull from the center of the tractor maximizes the transfer of power to the ground.

4. Largest cab in the industry



- Excellent 360 degree visibility.
- Available heated and ventilated seat.
- Directional heating/cooling vents.
- Easy to read displays.
- Intuitive controls.

5. Heavy-duty frame



- Designed to excel in all work environments.
- Operator confidence in the toughest jobs.
- Unmatched ground clearance.



3. Transmission and engine



Engine

- Industry-leading power bulge and torque rise.
- Variable Geometry Turbo for fast response and power on demand.

Transmission

- 40-80% larger in size and weight than the competition.
- Programmable transmission settings.
- Quick, smooth auto-modulated shifting when needed.

6. Common components



- The use of high quality components provide peace of mind that each system is reliable.
- High quality components have been proven to last longer with less risk of failure.
- Individual systems and operations mean the tractor is more serviceable, reducing downtime and repair costs.

HAVE YOU CONSIDERED?

Low commodity prices

Maximizing profits is not only about yield, it goes all the way through the farming process including operational costs. Versatile tractors maximize pulling power at a lower RPM due to torque rise and power bulge, resulting in more efficient operation and reduced fuel consumption. Versatile offers competitive prices with excellent resale value.

Limited farm labour available

It can be difficult finding farm labour these days, so when you do, you want to know that they can quickly adapt to the job at hand. Versatile tractors minimize the learning curve for new users with logical, reliable controls that are simple to operate.

It takes less time to train new staff on tractor function and operation. Daily maintenance is easy with accessible service points and sight gauges.

Larger farms have to get more work done in shorter time frames

Other than weather and commodity prices, one of the biggest concerns for modern agriculture operations is efficiency. Versatile tractors are known world-wide for durability and reliability due to the use of common components and design simplicity, resulting in less downtime. Daily and regular maintenance can be completed in a fraction of the time because of this design simplicity.

The power and torque from the Cummins engine and enhancements to the Versatile powertrain mean peak performance at lower RPM's, resulting in more efficient operation and a reduction in operating costs.

GET THE SPECS



4WD TRACTORS - T4F

Model: **380/405/430/460**

	380	405	430	460
ENGINE				
Engine type	Cummins QSG 12	Cummins QSG 12	Cummins QSG 12	Cummins QSG 12
Aspiration	Turbocharged & air-to-air aftercooled	Turbocharged & air-to-air aftercooled	Turbocharged & air-to-air aftercooled	Turbocharged & air-to-air aftercooled
Displacement	11.8-liter (720 cid)	11.8-liter (720 cid)	11.8-liter (720 cid)	11.8-liter (720 cid)
Horsepower	375 hp (280 kW)	400 hp (298 kW)	430 hp (320 kW)	460 hp (343 kW)
Power bulge	11% @ 1800 RPM	13% @ 1800 RPM	11% @ 1800 RPM	11% @ 1800 RPM
Peak horsepower	415 hp (309 kW)	450 hp (336 kW)	475 hp (354 kW)	512 hp (382 kW)
Torque rise	55% @ 1400 RPM	60% @ 1400 RPM	51% @ 1400 RPM	51% @ 1400 RPM
Peak torque	1450 lb-ft (1966 N·m)	1600 lb-ft (2169 N·m)	1693 lb-ft (2296 N·m)	1696 lb-ft (2300 N·m)
PTO hp	300 hp (224 kW)	320 hp (239 kW)	363 hp (271 kW)	363 hp (271 kW)
FUEL SYSTEM				
Capacity	250 US gal (946 L)	250 US gal (946 L)	250 US gal (946 L)	250 US gal (946 L)
Filter	Engine mounted w/water separator	Engine mounted w/water separator	Engine mounted w/water separator	Engine mounted w/water separator
DEF Tank	95 L (25 Gal)	95 L (25 Gal)	95 L (25 Gal)	95 L (25 Gal)
TRANSMISSION				
Powershift transmission	CAT 16 x 4 - 22 mph (35 km/hr) road speed	CAT 16 x 4 - 22 mph (35 km/hr) road speed	CAT 16 x 4 - 22 mph (35 km/hr) road speed	CAT 16 x 4 - 22 mph (35 km/hr) road speed
AXLES				
Versatile Outboard Planetary Axles	Heavy-duty	Heavy-duty	Heavy-duty	Heavy-duty
Differential lock	Optional	Optional	Optional	Optional
Brakes	4 wheel Hydraulic Self-Adjusting Disc Brakes	4 wheel Hydraulic Self-Adjusting Disc Brakes	4 wheel Hydraulic Self-Adjusting Disc Brakes	4 wheel Hydraulic Self-Adjusting Disc Brakes
Wheelbase	135" (3429 mm)	135" (3429 mm)	135" (3429 mm)	135" (3429 mm)
HYDRAULICS				
Hydraulic type	Closed Center Load Sensing System	Closed Center Load Sensing System	Closed Center Load Sensing System	Closed Center Load Sensing System
Standard flow	53 GPM (201 L/min)	53 GPM (201 L/min)	53 GPM (201 L/min)	53 GPM (201 L/min)
Hi-Flow hydraulic system	106 GPM (401 L/min)	106 GPM (401 L/min)	106 GPM (401 L/min)	106 GPM (401 L/min)
Hydraulic remotes	4 standard, 6 optional	4 standard, 6 optional	4 standard, 6 optional	4 standard, 6 optional
Maximum system pressure	2900 PSI (197 bar)	2900 PSI (197 bar)	2900 PSI (197 bar)	2900 PSI (197 bar)
ELECTRICAL SYSTEM				
Alternator	12V - 200 amps	12V - 200 amps	12V - 200 amps	12V - 200 amps
Batteries	3-12V, 1000 CCA ea.	3-12V, 1000 CCA ea.	3-12V, 1000 CCA ea.	3-12V, 1000 CCA ea.
LED lighting / Power mirrors	Optional / Optional	Optional / Optional	Optional / Optional	Optional / Optional
Battery shut-off switch	Standard	Standard	Standard	Standard
DRAWBAR				
Vertical load rating	6,000 lb (2,722 kg)	6,000 lb (2,722 kg)	6,000 lb (2,722 kg)	6,000 lb (2,722 kg)
Vertical load rating w/heavy-duty drawbar support	6613 lb (3,000 kg)	6613 lb (3,000 kg)	6613 lb (3,000 kg)	6613 lb (3,000 kg)
Hitch pin diameter (w/auto drop)	2" (51 mm)	2" (51 mm)	2" (51 mm)	2" (51 mm)
Quick hitch	Optional	Optional	Optional	Optional
3-point hitch	Category IVN / III	Category IVN / III	Category IVN / III	Category IVN / III
PTO	1000 RPM, 1-3/4 shaft	1000 RPM, 1-3/4 shaft	1000 RPM, 1-3/4 shaft	1000 RPM, 1-3/4 shaft
CAB				
Volume	175.5 cu. ft. (4.97 cu. m)	175.5 cu. ft. (4.97 cu. m)	175.5 cu. ft. (4.97 cu. m)	175.5 cu. ft. (4.97 cu. m)
Glass	85.9 sq. ft. (8 sq. m)	85.9 sq. ft. (8 sq. m)	85.9 sq. ft. (8 sq. m)	85.9 sq. ft. (8 sq. m)
WEIGHTS				
Base tractor weight*	31,500 lb (14,288 kg)	31,500 lb (14,288 kg)	31,500 lb (14,288 kg)	31,500 lb (14,288 kg)
Max. operating weight	38,000 lb (17,236 kg)	40,000 lb (18,144 kg)	43,000 lb (19,504 kg)	46,000 lb (20,865 kg)

*With 710/70R38 drum-style duals, a standard drawbar, no fuel, no operator, no special added equipment and no ballast.

IT'S MORE THAN PAINT!

POWER WHERE IT COUNTS

THE MOST EFFICIENT DRAWBAR IN THE INDUSTRY



Drawbar

The drawbar pull point on Versatile four-wheel drives is immediately behind the articulation point, which features a large-diameter pivot pin for maximum strength and durability. The standard drawbar can move from side to side or be locked in place.

HD Drawbar Support

The fixed heavy-duty drawbar increases static load capacity for implements such as grain carts, silage trailers & manure wagons.

MFWD/ROW CROP TRACTORS

Model: **265/295/315/335/365**



IT'S MORE THAN PAINT!



IT'S A LEGACY!



WHAT ABOUT IT?

Versatile MFWD/Row Crop tractors are built for large acreage row crop and broadacre farming.

Designed to be rugged, easy to operate, and simple to service and maintain; Versatile MFWD tractors have the lowest cost of ownership of any tractor in this segment.

The MFWD product line has a highly efficient powertrain, which drives power-to-the ground and drawbar to meet the most demanding applications.

THE REASONS WHY!

- Simple to operate, easy to service and maintain
- Commercial components sourced from industry-leading companies
- Cummins engine
- 16 X 9 Versatile powershift transmission
- Easy to access service and maintenance points
- Universal auto-steer

LEARN MORE.



Visit our website for the latest information
www.versatile-ag.com

MFWD/ROW CROP TRACTORS

Model: **265/295/315/335/365**

1. Simple to use



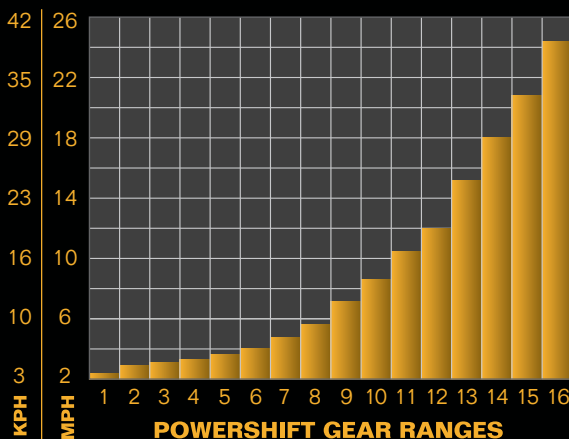
- Intuitive controls are easy to learn and understand for new operators.
- This reduces the learning curve, saving time and reducing the risk of equipment damage.
- Operator can save focus for the task at hand.

2. Common components



- Assembled using commercially available components from industry-leading companies.
- The use of quality components limits the risk of down time.
- Individual systems and operations mean the tractor is more serviceable, reducing downtime and repair costs.

4. 16 x 9 Versatile powershift



- Versatile 16 x 9 transmission is easy to service which reduces ownership costs and downtime.
- 16 x 9 powershift reduces power loss from the engine to the PTO and from the power to the ground.
- Immediate horsepower is available on the ground when required.

5. Serviceability



- The Versatile MFWD is highly serviceable which reduces downtime and ongoing costs.
- Simplified daily maintenance allows the operator to get into the field faster and reduces opportunity for component failure.



3. Cummins engine



- A cantilever mounted engine helps transfer more horsepower to the drawbar and protects the tractor and engine for increased reliability.
- The smooth operating Cummins QSL 9 reduces vibrations which means a more comfortable ride.
- The QSL 9 offers improved torque and faster throttle response compared to other engines in its class.

HAVE YOU CONSIDERED?

Operational Costs

Lower cost does not mean lower value. Buying a lower cost tractor, with simple daily maintenance and low cost repairs for major components reduces overall operational costs. For customers who purchase their equipment for long term ownership also reduce their costs and own their equipment.

Compatibility

Universal auto-steer was developed in cooperation with the top precision agriculture companies in the industry. Designed to be plug-and-play, this system is compatible with most precision agriculture solutions for easy integration.

Larger Implements And Changing Farming Systems

As new farming systems are adopted and implement sizes increase, larger tractors are required to pull the equipment. High horsepower front-wheel assist tractors offer power, flexibility and versatility.

This is quite often a motivating factor in purchasing a large MFWD tractor. The Versatile MFWD has excellent pulling power and users can future proof their operation for 5-10 years by increasing their horsepower to adapt to new and/or larger implements.

6. Universal auto-steer



- Universal auto-steer allows for integration to almost any farming system, saving time and money when adding a new Versatile to the fleet.
- Plug and play integration with any system you choose.

GET THE SPECS



Visit our website for the latest information
www.versatile-ag.com

MFWD/ROW CROP TRACTORS

Model: **265/295/315/335/365**

	265	295	315
ENGINE			
Engine type	Cummins QSL9	Cummins QSL9	Cummins QSL9
Aspiration	Turbocharged & air-to-air aftercooled	Turbocharged & air-to-air aftercooled	Turbocharged & air-to-air aftercooled
Displacement	9-liter	9-liter	9-liter
Horsepower	265 hp (198 kW) @ 2100 RPM	295 hp (220 kW) @ 2100 RPM	310 hp (231 kW) @ 2100 RPM
Power bulge	9% @ 1900 RPM	8% @ 1900 RPM	10% @ 1900 RPM
Peak horsepower	290 hp (221 kW)	320 hp (243 kW)	340 hp (254 kW)
Torque rise	43% @ 1500 RPM	34% @ 1500 RPM	29% @ 1500 RPM
Peak torque	945 lb-ft (1282 N·m)	985 lb-ft (1335 N·m)	995 lb-ft (1350 N·m)
FUEL SYSTEM			
Capacity	165 U.S. gal (625 L)	165 U.S. gal (625 L)	170 U.S. gal (644 L)
Filter	Engine mounted w/water separator	Engine mounted w/water separator	Engine mounted w/water separator
DEF Capacity	9 U.S. gal (34 L) - 7 Gal (26.5 L) (useable)	9 U.S. gal (34 L) - 7 Gal (26.5 L) (useable)	9 U.S. gal (34 L) - 7 Gal (26.5 L) (useable)
TRANSMISSION			
Powershift transmission	16 forward speeds, 9 reverse	16 forward speeds, 9 reverse	16 forward speeds, 9 reverse
Maximum speed	25 mph (40 kph)	25 mph (40 kph)	25 mph (40 kph)
AXLES			
Front axle - Suspended	Standard	Standard	Standard
Front axle track setting	60 to 88 in (1524 to 2235 mm)	60 to 88 in (1524 to 2235 mm)	60 to 88 in (1524 to 2235 mm)
Rear axle diameter	4.1 in (105 mm)	4.1 in (105 mm)	4.1 in (105 mm)
Overall width rear bar axle	92 in (2336.8 mm)	92 in (2336.8 mm)	92 in (2336.8 mm)
HYDRAULICS			
Hydraulic type	Closed Center Load Sensing System	Closed Center Load Sensing System	Closed Center Load Sensing System
Standard flow	55 GPM (208 L/min)	55 GPM (208 L/min)	55 GPM (208 L/min)
Hi-Flow hydraulic system	72 GPM (273 L/min)	72 GPM (273 L/min)	72 GPM (273 L/min)
Hydraulic remotes - Standard flow	4 standard	4 standard	4 standard
Hydraulic remotes - Hi-Flow	6 standard	6 standard	6 standard
Maximum system pressure	2900 PSI (197 bar)	2900 PSI (197 bar)	2900 PSI (197 bar)
ELECTRICAL SYSTEM			
Alternator	12V - 200 amps	12V - 200 amps	12V - 200 amps
Batteries	2-12V, 950 CCA ea.	2-12V, 950 CCA ea.	2-12V, 950 CCA ea.
Standard lights	LED - 4 Headlights, 7 Working lights available	LED - 4 Headlights, 7 Working lights available	LED - 4 Headlights, 7 Working lights available
Power mirrors	Optional / Optional	Optional / Optional	Optional / Optional
DRAWBAR / 3-POINT HITCH / PTO			
3-point hitch	Category III / IIIN	Category III / IIIN	Category III / IIIN
Standard (SAE) lift capacity	15,000 lb (7829 kg)	15,000 lb (7829 kg)	15,000 lb (7829 kg)
PTO, 1000 RPM	Optional	Optional	Optional
PTO, 540/1000 RPM	Standard	Standard	Standard
CAB			
Volume	149 cu. ft. (4.22 cu. m)	149 cu. ft. (4.22 cu. m)	149 cu. ft. (4.22 cu. m)
Glass	73.5 sq. ft. (6.83 sq. m)	73.5 sq. ft. (6.83 sq. m)	73.5 sq. ft. (6.83 sq. m)
WEIGHTS & DIMENSIONS			
Weight, unballasted*	23,945 lb (10,861 kg)	23,945 lb (10,861 kg)	23,945 lb (10,861 kg)
Recommended operating GVW	26,500 lb (12,020 kg)	29,500 lb (13,380kg)	31,173 lb (14,140kg)
Wheelbase	124.6 in (3165 mm)	124.6 in (3165 mm)	124.6 in (3165 mm)
Turning radius**	15.8 ft @ 30" row spacing (4.8 m @ 762 mm)	15.8 ft @ 30" row spacing (4.8 m @ 762 mm)	15.8 ft @ 30" row spacing (4.8 m @ 762 mm)
Overall length, w/front weights	246 in (6248 mm)	246 in (6248 mm)	246 in (6248 mm)
Height, top of cab	130 in (3311 mm)	130 in (3311 mm)	130 in (3311 mm)

IT'S MORE THAN PAINT!



335	365
Cummins QSL9 T4F	Cummins QSL9 T4F
Turbocharged & air-to-air aftercooled	Turbocharged & air-to-air aftercooled
9-liter	9-liter
335 hp (250 kW) @ 2100 RPM	365 hp (272 kW) @ 2100 RPM
10% @ 1900 RPM	11% @ 1900 RPM
370 hp (276 kW)	400 hp (298 kW)
35% @ 1500 RPM	31% @ 1500 RPM
1130 lb-ft (1532 N-m)	1199 lb-ft (1626 N-m)
165 U.S. gal (625 L)	165 U.S. gal (625 L)
Engine mounted w/water separator	Engine mounted w/water separator
9 U.S. gal (34 L) - 7 Gal (26.5 L) (useable)	9 U.S. gal (34 L) - 7 Gal (26.5 L) (useable)
16 forward speeds, 9 reverse	16 forward speeds, 9 reverse
25 mph (40 kph)	25 mph (40 kph)
Standard	Standard
60 to 88 in (1524 to 2235 mm)	60 to 88 in (1524 to 2235 mm)
4.7 in (120 mm)	
92 in (2336.8 mm)	92 in (2336.8 mm)
Closed Center Load Sensing System	Closed Center Load Sensing System
55 GPM (208 L/min)	55 GPM (208 L/min)
72 GPM (273 L/min)	72 GPM (273 L/min)
4 standard	4 standard
6 standard	6 standard
2900 PSI (197 bar)	2900 PSI (197 bar)
12V - 200 amps	12V - 200 amps
2-12V, 950 CCA ea.	2-12V, 950 CCA ea.
LED - 4 Headlights, 7 Working lights available	LED - 4 Headlights, 7 Working lights available
Optional / Optional	Optional / Optional
Category 4N / 3	Category 4N / 3
17,260 lb (7829 kg)	17,260 lb (7829 kg)
Standard	Standard
N/A	N/A
149 cu. ft. (4.22 cu. m)	149 cu. ft. (4.22 cu. m)
73.5 sq. ft. (6.83 sq. m)	73.5 sq. ft. (6.83 sq. m)
23,945 lb (10,861 kg)	23,945 lb (10,861 kg)
33,500 lb (15,195 kg)	35,053 lb (15,900 kg)
128.95 in (3275 mm)	128.95 in (3275 mm)
18.3 ft @ 30" row spacing (5.6 m @ 762 mm)	18.3 ft @ 30" row spacing (5.6 m @ 762 mm)
251 in (6375 mm)	251 in (6375 mm)
130 in (3311 mm)	130 in (3311 mm)



THE REASONS WHY

- Simple to operate, easy to service and maintain
- Commercial components sourced from industry-leading companies
- Cummins engine
- 16 X 9 Versatile Powershift
- Easy to access service and maintenance points
- Universal auto-steer

MORE INFORMATION

For more information on our Versatile line please visit www.versatile-ag.com. Our website has all the latest content, including videos, hi-res graphics, links to social media, product news and much more.

www.versatile-ag.com



©2018 Buhler Versatile Inc. All Rights Reserved » info@versatile-ag.com » www.versatile-ag.com
Ref: 092017

Illustrations, photographs and specifications in this brochure are based on the latest information at the time of publication. Design and specification of equipment is subject to change without notice; please contact your local dealer for product information and availability. Products produced by other manufacturers featured in photography are not endorsed by Buhler Versatile Inc. and are intended for image reference only.